



PRINT



DUPLIX



UP TO 35 PPM BLACK



NETWORK



UP TO 35 PPM COLOR



Lexmark CS736dn

Superior color for high volumes  
and high standards



LEXMARK™

# Print Less. Save More.

Print less? This may seem like a surprising message for a company dedicated solely to printing. But when you consider that businesses spend, on average, up to 6% of their revenue on printing and active print management can cut office print costs by up to 30%<sup>1</sup>, it makes a lot of sense. Lexmark products, solutions and services provide innovative ways to save you time, drive down costs and reduce your impact on the environment. We are committed to helping you print less and save more.

<sup>1</sup> Source: InfoTrends/CapVentures, Network Document Solutions Forecast 2007-2012, Network Document Solutions Consulting Service, August 2008

**The Lexmark CS736dn lets you print confidently in color, delivering excellent color quality, fast print speeds and business-class reliability to keep up with all your high-volume needs. Designed for large and midsize workgroups in busy office environments, these printers fit easily on your desktop or in a small workstation and offer a wealth of big-business benefits, including tremendous input capacity, paper-saving duplex printing and much more.**



## Color that counts

Why not eliminate the time and expense so often involved in outsourcing color print jobs? With dazzling Lexmark color, you can produce high-impact documents in house. Plus, you benefit from a complete range of color-access and control tools to ensure your workgroup is printing efficiently and intelligently.

- Produce stunning graphics and images with Lexmark's advanced color laser toner formula
- Achieve consistent color tones with professional PANTONE® calibration
- Promote responsible color-printing practices with a range of cost-control tools
- Smart technology conserves color toner when printing multiple black-only pages



## Ready for any print run

With its extra-large paper input capacity and flexible media support, the Lexmark CS736dn is ready for all your high-volume jobs, ensuring you less intervention and enhanced productivity. You can also print on a wide range of paper types, from envelopes and labels to card stock.

- The Specialty Media Drawer offers added versatility to load large stacks of diverse paper types
- Add up to three stackable drawers to boost your input capacity up to 3,750 sheets
- Enjoy reliable printing, thanks to the smooth paper feed



## A reliable office partner

Maximize your uptime and enjoy fast, reliable, stress-free printing. The Lexmark CS736dn boasts a rock-solid design and advanced functionality and security, in addition to sophisticated intelligence that makes these printers easy to install.

- Robust design, engineered especially for high-volume print runs
- New, enhanced security features for controlling access, tracking activity and preventing misuse
- Easy administration and programmable supplies alerts ensure timely availability



## Eco-responsible printing

Printing responsibly means everyone wins - your business, your budget and the environment! Lexmark CS736dn is eco-designed and comes with a vast range of features to help you print greener at every level.

- Duplex-printing models let you save paper waste and costs
- Instant warm-up fuser and Eco-Mode reduce power consumption
- Quiet Mode setting allows ultra-quiet operation
- Recycle your empty toner cartridges free of charge through the Lexmark Cartridge Collection Program



# Lexmark CS736dn

Explore the features that keep you moving



#### Secure PIN release

Use the alphanumeric pad to ensure confidential jobs stay in the right hands



#### Direct USB

Front USB port for convenient walk-up printing of PDFs and other image files



#### User-friendly display

The tiltable operator panel with 4-line graphical display offers intuitive visuals for simple operation



#### Low intervention

High-capacity cartridges deliver thousands of pages before replacement is needed



#### Expandable input

Load multiple paper types; boost your total capacity up to 4,300 sheets

What can great color do for you?

#### A little color can go a long way!

Studies consistently show that color enhances communication both internally and externally. It improves readability, comprehension and brand recognition. In addition, it can simplify buying decisions by helping customers cut through the clutter of competing messages.

Color can bring added value to all areas of your business, from marketing and communication to real estate and finance. A 2007 InfoTrends study shows that invoices produced in color improve payment response by almost 30 percent, what's more, customers are more likely to pay the full amount!

Could your business benefit from color too? More importantly, how could your business best benefit from color? The Lexmark CS736dn delivers the answers.

These high-powered partners offer the tools and technology you need to save time, lower costs and print more responsibly for the environment – with all the advantages that color brings!

# Lexmark CS736dn

The Productivity Checklist  
If you've got all these, then you've got a Lexmark!



## **Instant warm up**

With Lexmark's instant warm-up fuser, your printer will be racing through documents in the time it takes many other printers to wake up. In addition to getting your print jobs in your hands faster – just seconds from a cold start – you'll also benefit from increased efficiency. So you save time, energy and money all at once!

## **Intelligent job waiting**

One person's setback should never mean a bottleneck for the whole workgroup. Say someone launches a print job that requires labels, but there are none loaded. Why lose precious uptime? Lexmark's job waiting feature will simply hold that job while everyone else goes on working without interruption (hard disk required).

## **Color science at work for you**

At Lexmark, great color is more than a marketing promise – it's a serious investment. Our development team is dedicated to delivering breakthrough color technology that truly enhances the value of your print communications. Lexmark's advanced color laser toner formula, combined with new temperature-and-humidity-sensing technology, ensures excellent color reproduction and consistent quality from first page to last, across various media types and work environments.

## **Cutting-edge security**

From network security to user-access restrictions, Lexmark offers you a wide range of features to help protect your valuable data and ensure the integrity of your network. In addition to IPSec, SNMPv3 and 802.11x network security, the Lexmark CS736dn offers an alphanumeric pad for easy PIN authentication, plus encryption and disk wiping to secure the optional hard disk.

# Product specifications

# Lexmark CS736dn

Lexmark CS736dn	
<b>Printing</b>	
<b>Print Technology</b>	Color Laser
<b>Print Speed (Letter, Black): Up to</b>	35 ppm
<b>Print Speed (Letter, Color): Up to</b>	35 ppm
<b>Time to First Page (Black)</b>	As fast as 9 seconds
<b>Time to First Page (Color)</b>	As fast as 9 seconds
<b>Print Resolution, Black</b>	1200 x 1200 dpi, 4800 Color Quality (2400 x 600 dpi)
<b>Print Resolution, Color</b>	1200 x 1200 dpi, 4800 Color Quality (2400 x 600 dpi)
<b>Memory, Standard</b>	256 MB
<b>Memory, Maximum</b>	1280 MB
<b>Hard Disk</b>	Option available
<b>Print Noise Level, Operating</b>	54 dBA
<b>Noise Level, Idle</b>	33 dBA
<b>Maximum Monthly Duty Cycle: Up to</b>	100,000 pages per month
<b>Recommended Monthly Page Volume</b>	2,500 - 10,000 pages
<b>Supplies</b>	
<b>Supplies Yield</b> (*Average continuous black or continuous composite CMY declared cartridge yield up to this number of standard pages in accordance with ISO/IEC 19798.)	10,000*-page color High Yield Toner Cartridges (CMY), 12,000*-page Black High Yield Toner Cartridge
<b>Cartridge(s) Shipping with Product</b>	6,000*-page color (CMY) starter Return Program Toner Cartridges, 6,000*-page Black starter Return Program Toner Cartridge
<b>Paper Handling</b>	
<b>Paper Handling Standard</b>	300-Sheet Output Bin, 100-Sheet Multipurpose Feeder, 550-Sheet Input Tray
<b>Paper Handling Optional</b>	550-Sheet Drawer, 2,000-Sheet High-Capacity Feeder, 550-Sheet Specialty Media Drawer
<b>Paper Input Capacity, Standard: Up to</b>	650 pages 20 lb or 75 gsm bond
<b>Paper Input Capacity, Maximum: Up to</b>	4300 pages 20 lb or 75 gsm bond
<b>Paper Output Capacity, Standard: Up to</b>	300 pages 20 lb or 75 gsm bond
<b>Paper Output Capacity, Maximum: Up to</b>	300 pages 20 lb or 75 gsm bond
<b>Media Types Supported</b>	Card Stock, Envelopes, Glossy Paper, Paper Labels, Plain Paper, Transparencies, Vinyl Labels, Refer to the Card Stock & Label Guide
<b>Media Sizes Supported</b>	10 Envelope, 7 3/4 Envelope, 9 Envelope, A4, A5, B5 Envelope, C5 Envelope, DL Envelope, B5, Executive, Folio, JIS-B5, Legal, Letter, Statement, Universal, Oficio
<b>Compatibility</b>	
<b>Network Protocol Support</b>	TCP/IP IPv4, IPX/SPX, AppleTalk™, LexLink (DLC), TCP/IP IPv6, TCP, UDP
<b>Printer Languages (Standard)</b>	PCL 5c Emulation, PCL 6 Emulation, Personal Printer Data Stream (PPDS), PostScript 3 Emulation, xHTML, PDF 1.6, Direct Image, Microsoft XPS (XML Paper Specification)
<b>Standard Ports</b>	Ethernet 10/100BaseTX (RJ-45), USB 2.0 Specification Hi-Speed Certified (Type B), PictBridge Certified Port, Front USB 2.0 Specification Hi-Speed Certified Port (Type A)
<b>Microsoft Windows Operating Systems Supported</b>	2000, XP, Server 2003, XP x64, Server 2003 running Terminal Services, 2000 Server running Terminal Services, Server 2003 x64, Server 2003 x64 running Terminal Services, Vista, Vista x64, Server 2008, Server 2008 x64, Server 2008 running Terminal Services, Server 2008 x64 running Terminal Services
<b>Apple Macintosh Operating Systems Supported</b>	Mac OS X, Mac OS 9.2
<b>General</b>	
<b>Product Certifications</b>	www.lexmark.com
<b>Size (in. - H x W x D)</b>	17.7 x 17.1 x 18.5 in.
<b>Weight (lb.)</b>	56.7 lb.
<b>Specified Operating Environment</b>	Temperature: 16 to 32°C (60 to 90°F), Humidity: 8 to 80% Relative Humidity, Altitude: 0 - 3048 Meters (10,000 Feet)

## Maximum Monthly Duty Cycle

«Maximum Monthly Duty Cycle» is defined as the maximum number of pages a device could deliver in a month using a multishift operation. This metric provides a comparison of robustness in relation to other Lexmark printers and MFPs.

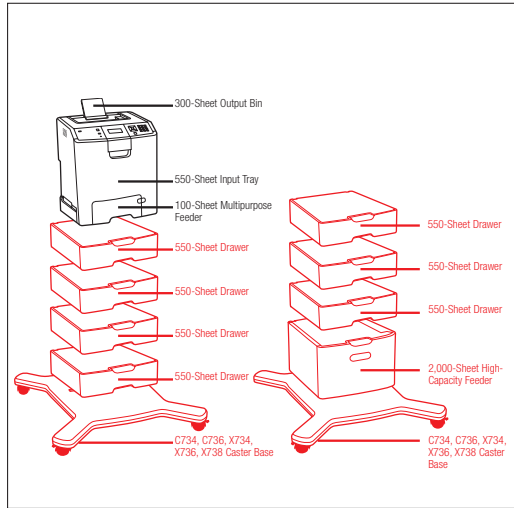
## Recommended Monthly Page Volume

«Recommended Monthly Page Volume» is a range of pages that helps customers evaluate Lexmark's product offerings based on the average number of pages customers plan to print on the device each month. Lexmark recommends that the number of pages per month be within the stated range for optimum device performance, based on factors including: supplies replacement intervals, paper loading intervals, speed, and typical customer usage.

## Trademarks

Lexmark and Lexmark with the diamond design are trademarks of Lexmark International, Inc., registered in the United States and/or other countries. All other trademarks are the property of their respective owners. PCL is a registered trademark of Hewlett-Packard Company. AppleTalk, Mac and Macintosh are trademarks of Apple Computer, Inc., registered in the United States and other countries. MarkNet and MarkVision are trademarks of Lexmark International, Inc., registered in the United States and/or other countries. The USB-IF logos are trademarks of Universal Serial Bus Implementers Forum, Inc. Microsoft, Windows, the Windows logo, Windows Vista, and the Windows Vista logo are trademarks or registered trademarks of Microsoft Corporation in the United States and/or other countries. Citrix, MetaFrame and MetaFrame XP are registered trademarks or trademarks of Citrix Systems, Inc. in the U.S. and other countries. Information in this document is subject to change without notice. PANTONE® is a registered trademark of Pantone, Inc.

## Lexmark CS736dn



Paper Handling Standard  
 Paper Handling Optional

Part #	Model
25A0490	Lexmark CS736dn
Part #	Paper & Transparencies
12A5950	Glossy Laser Paper, Letter (200 sheets)
12A8240	Professional Color Laser Transparencies, Letter
Part #	Paper Handling
27S2100	C734, C736, X734e, X736e, X738e 550-Sheet Drawer
27S2190	4.8 inch (12.2 cm) Spacer
27S2400	2,000-Sheet High Capacity Feeder
27S2650	C734, C736, X734e, X736e, X738e 550-Sheet Specialty Media Drawer
Part #	Furniture
16M1210	C734, C736, X734, X736, X738 Caster Base
Part #	Memory Options
1025041	256MB DDR2-DRAM
1025042	512MB DDR2-DRAM
1025043	1024MB DDR2-DRAM
14F0245	256MB Flash Card
14F0102	80+GB Hard Disk
30G0828	Japanese Font Card
30G0825	Korean Font Card
30G0826	Simplified Chinese Font Card
30G0827	Traditional Chinese Font Card
Part #	Application Solutions
30G0829	Lexmark PrintCryption Card
25C0434	C734, C736 Card for IPDS/SCS/TNe
25C0433	C734, C736 Forms and Bar Code Card
Part #	Connectivity
14F0037	MarkNet N8120 Gigabit Ethernet Print Server
14F0042	MarkNet N8130 Fiber Ethernet 100BaseFX, 10BaseFL Print Server
14F0040	MarkNet N8150 802.11b/g/n Wireless Print Server
14T0145	Lexmark N4050e 802.11g Wireless Print Server
14T0220	MarkNet™ N7020e Gigabit Ethernet Print Server
1021294	USB Cable (2-meter)
14F0000	Parallel 1284-B Interface Card
1021231	Parallel Cable (10-foot)
14F0100	RS-232C Serial Interface Card

**In the box**  
 Lexmark CS736dn Color Laser Printer, up to 6,000\*-page starter Color (CMY) Return Program Toner Cartridges, up to 6,000\*-page starter Black Return Program Cartridge, photoconductor unit, software and documentation CD, power cord(s), setup guides (network and local attachment), Statement of Limited Warranty, operator panel language overlays, Lexmark Cartridge Collection Program information



### Environmental commitment

Lexmark believes that the environment is a critical component of responsible business management and clearly demonstrates it by implementing the "4R" strategy: Reduce, Recover, Reuse and Recycle. To learn more about these programs please visit [www.lexmark.com/recycle](http://www.lexmark.com/recycle).

- Duplex printing, print and hold, multi-up and support of recycled paper help reduce paper consumption
- Eco-Mode reduces power consumption and Quiet Mode reduces noise
- Lexmark Cartridge Collection Program helps reduce waste
- <?>

